



PASS-THROUGH CABINETS

Custom Polypropylene Lab Furniture

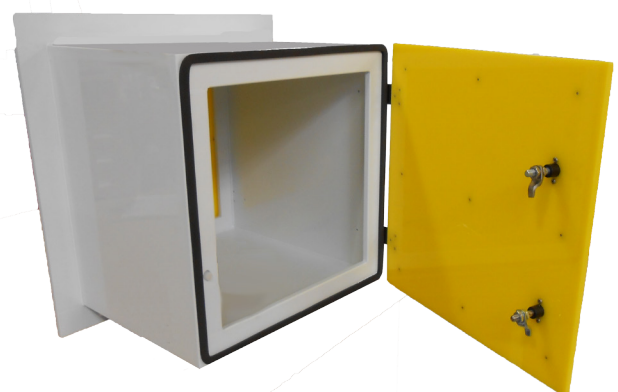


Plastic Concepts white polypropylene Pass-Throughs allow for convenient and contamination-free transfer of materials and supplies in and out of your cleanroom or sterile environment.

Created just for you, built to last, and easy to clean, Plastic Concepts pass-throughs are the number one choice for your cleanroom.

We can custom-make your pass-through cabinet to include any of the following:

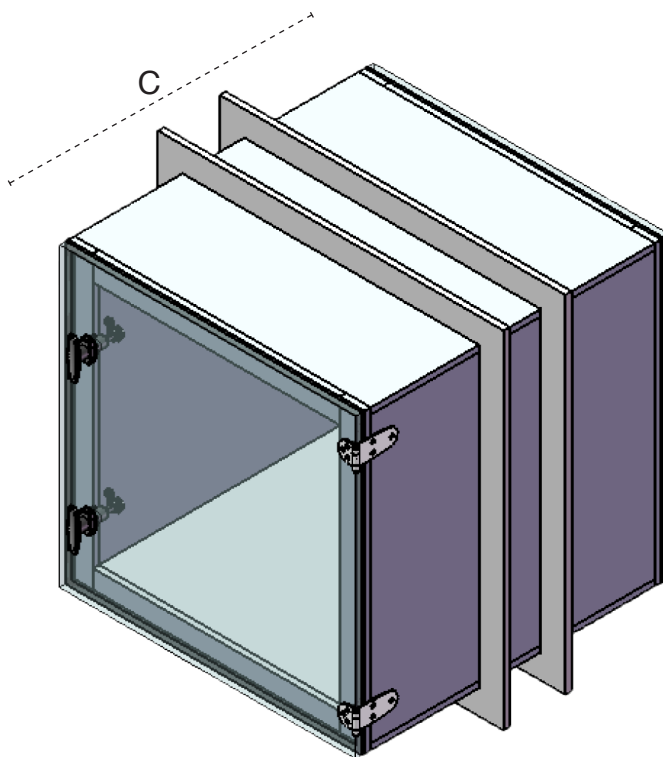
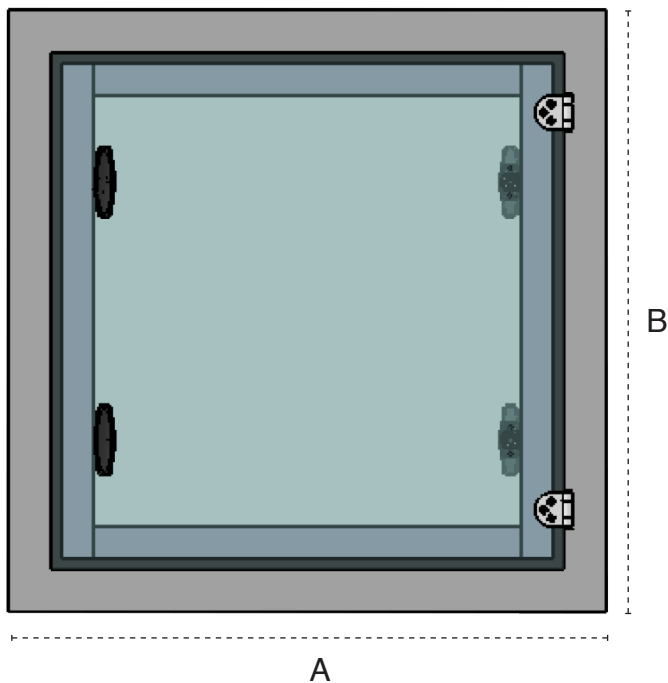
- Floor or wall mounted
- Flush mount option
- Clear or solid doors
- Stainless steel or plastic hardware
- Material options from chemical resistance polypropylene to static control
- Fixed or adjustable shelves
- Mechanical Interlocks
- Custom dimensions



Custom Polypropylene Pass-Through Cabinets

Plastic Concepts pass-through cabinets can be completely customized to fit your existing framework. Provide us with the dimensions and any other requirements and we'll take care of the rest.

Here are a few examples of custom projects we've done for our customers.



<i>Standard Wall Sizes</i>	<i>Part Number</i>
18" w x 18" h x 22" d	PCI PTW 181822
24" w x 24" h x 22" d	PCI PTW 242422
36" w x 36" h x 22" d	PCI PTW 363622
12" w x 24" h x 18" d with shelf	PCI PTW 122318

<i>Standard Floor Sizes</i>	<i>Part Number</i>
24" w x 48" h x 48" d	PCI PTF 244848
30" w x 48" h x 48" d	PCI PTF 304848
36" w x 60" h x 48" d	PCI PTF 366048